

# STRIP PUNCHES



Robust precision sample cutter with case hardened metal punch and die. Manual hand lever operation. Supplied with material feeding support and sample collection tray.

For producing precision samples for tensile, short span SCT and ring crush RCT tests (300 x 15 mm)

For Concora CCT, CMT and RCT Test (6 x 1/2").

For Internal Bond Tests (7 x 1").

Also for grammage (100 cm<sup>2</sup>) Circular

The samples are placed in the punch and cut with a single smooth action of the hand lever.

## Description

6 versions available:

300 x 15 mm

300 x 25.4 mm

300 x 50 mm

6 x 1/2"

7 x 1/2"

100 cm<sup>2</sup> circular

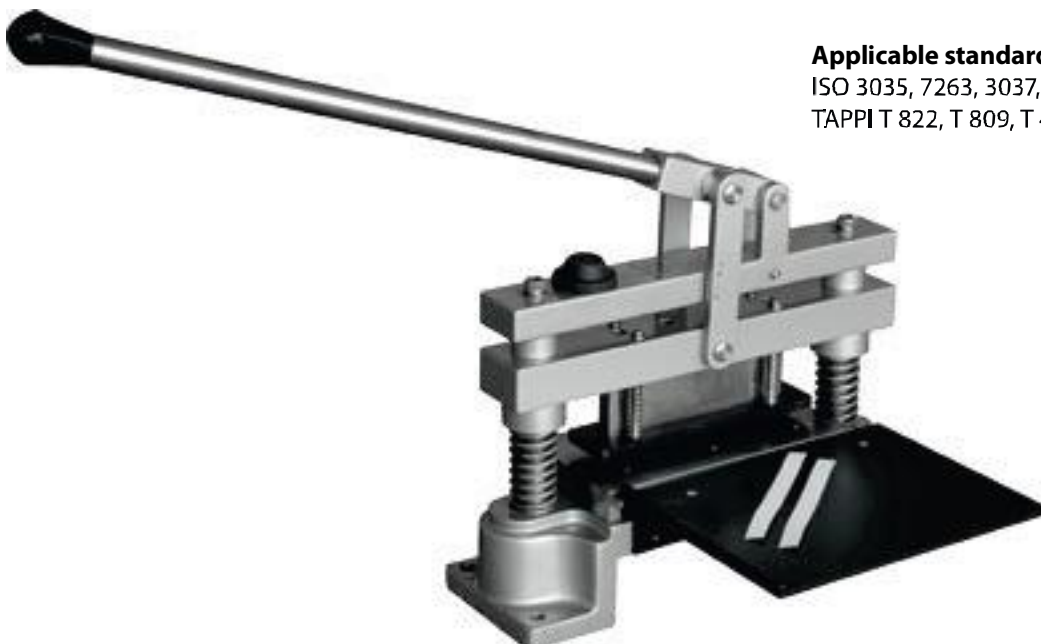
Weight: 30 kg, 300 mm version

25 kg, 6 and 7" version

Dimensions (W x D x H):

300er version: 40x55x60 cm

6 and 7" version: 30x45x60 cm



## Applicable standards:

ISO 3035, 7263, 3037, 536, 1924, etc.

TAPPI T 822, T 809, T 410, T 494, etc.